

IE TAC Cylinder Vacuum Cleaner




 **Royal**

GB IE


CYLINDER VACUUM CLEANER

Operation and Safety Notes

4.1 Operational safety

 **WARNING:**

Danger of injury! Check appliance and power cord before each use. A damaged appliance must never be used.

 **WARNING:**

Danger of injury! Especially when vacuum-cleaning stairs make sure that you always stand on a higher level than the appliance.

 **ATTENTION:**

Only use the cylinder vacuum cleaner with all filters intact, in dry condition and correctly fitted. Make sure that no objects obstruct the telescopic tube, the suction hose or other openings.

NOTE:

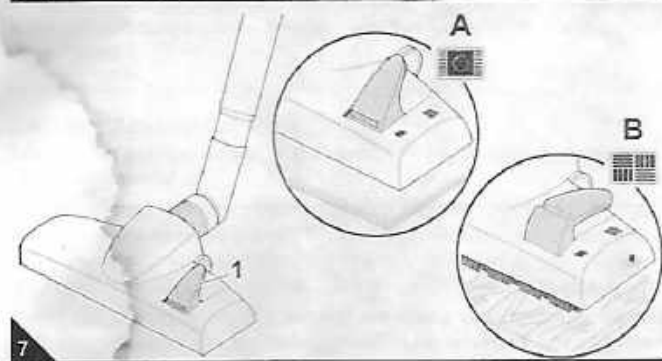
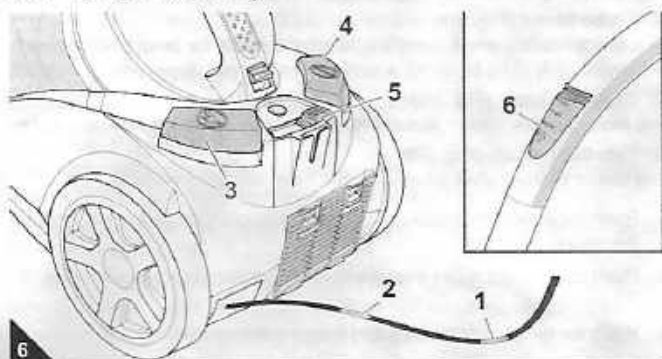
Your cylinder vacuum cleaner is equipped with a safety switch to prevent overheating. It will switch off automatically if overheated (e.g. due to clogged suction channels).

If this happens:

- Switch off the vacuum cleaner.
- Pull the plug from the power socket.
- Remove the cause of the overheating.
- Wait for about 45 minutes.

After it has cooled off, you may switch on the vacuum cleaner again.

4.2 Vacuum cleaning



1. Pull out the cord by the plug up to the yellow mark (Fig. 6/1).

 **WARNING:**

Danger of electric shock! If the red marking (Fig. 6/2) shows, press the cord retracting button (Fig. 6/3) to pull in the cord up to the yellow mark (Fig. 6/1) again. Otherwise, the power cord may be damaged.

2. Insert the mains plug into a socket with ground/safety contact.
3. Switch on the cylinder vacuum cleaner with the on/off switch (Fig. 6/4).
4. Adjust the suction power with the suction power control (Fig. 6/5).

NOTE:

With the bypass vent (Fig. 6/6) you can quickly reduce the suction power if less power is needed, e.g. to release curtains accidentally sucked in.

5. If using the floor nozzle, set the "carpet/hard floor" selector according to the type of floor to be cleaned (Fig. 7/1):



for deep- and short-pile carpets, runners (Fig. 7/A)



for hard floors such as laminate, tiles, PVC etc. (Fig. 7/B)

 **WARNING:**

Danger of injury! When leaving your working-area, switch off the appliance and mind the notices at chapter 4.3, "Switching off". This will help avoid accidents.

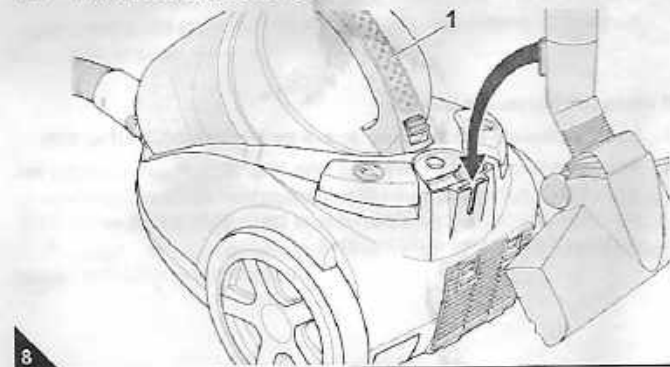
4.3 Switching off

 **WARNING:**


Danger of injury! During uncontrolled retraction the power cord can whip around, become an obstacle or overthrow objects. Therefore keep the plug in your hand and guide it when retracting the power cord.

1. Switch off the cylinder vacuum cleaner with the on/off switch (Fig. 6/4) and pull the plug from the mains socket.
2. Keep the plug in your hand.
3. To retract the power cord, push the cord retracting button (Fig. 6/3).

4.4 Transport and storage

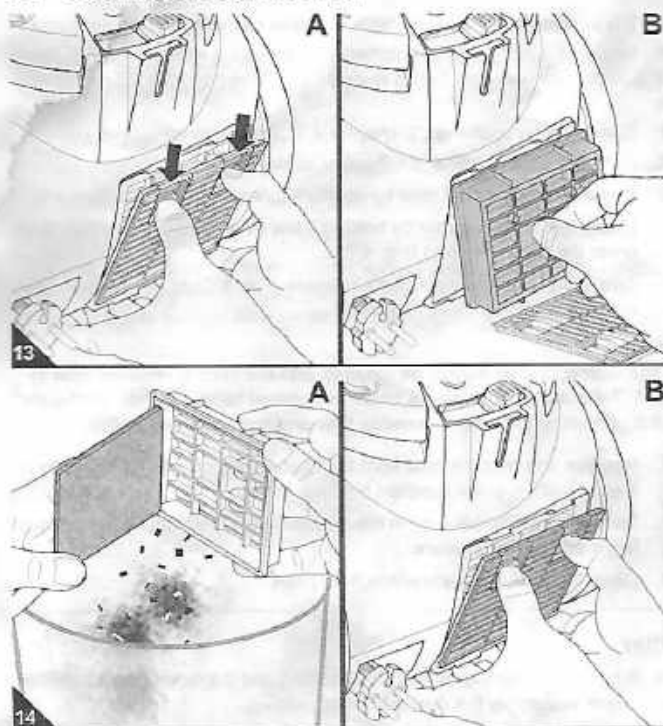


- Only carry the vacuum cleaner by its carrying-handle (Fig. 8/1).
- For storage you can park the telescopic tube on the vacuum cleaner by inserting the parking-hook of the floor nozzle into the parking-bracket (Fig. 8).
- If you want to store the appliance for a longer period of time, empty the dust container. Chapter 5.1, "Emptying and cleaning the dust container".
- Store the appliance in a cool, dry place, out of reach of children.

 **ATTENTION:**

Never store the appliance next to heat sources (e.g. stoves or radiators). Avoid exposing it to direct sunlight. Heat can damage the appliance.

5.3 Cleaning the exhaust filter



- It is best to clean the exhaust filter every third time that the central lamellae filter is cleaned.
- However, clean the exhaust filter at least every six months.

1. Switch off the appliance, >chapter 4.3, „Switching off“.
2. Push the release catches of the exhaust filter cover down (Fig. 13/A) and fold down the exhaust filter cover.
3. Remove the exhaust filter (Fig. 13/B).
4. Hold the exhaust filter deeply into a dustbin.
5. Only now separate the exhaust filter element from the filter holder (Fig. 14/A).
6. Thoroughly tap the dirt from both elements.
7. Remove residual dust with a soft brush, e.g. the supplied furniture brush.

ATTENTION:

The exhaust filter element is not washable.

8. If the exhaust filter element is damaged, deformed or too soiled, replace it (ordering information >chapter 5.4, „Spare parts and accessories“).
9. Put the cleaned or new exhaust filter element back into the filter holder.
10. Now put the filter holder with the freshly fitted filter back into its receptacle (Fig. 13/B).
11. Fit the exhaust filter cover on the bottom side first (Fig. 14/B) and then fold it in upwards.

5.4 Spare parts and accessories

ATTENTION:

Only use original spare parts from the scope of delivery or those that you have acquired by reordering.

- Ordering address: >Page 11, „International Service“
- The following accessories and spare parts can be reordered:

Item number	Description
2827001	Filter set 4 pcs, consisting of 1 central lamellae filter, 1 filter screen, 1 motor protection filter, 1 exhaust filter
M203	1 parquet brush
M209	1 turbo brush

5.5 Before you send in the appliance

WARNING:

Danger of injury! Never use a defective appliance! Always switch off the appliance and disconnect it from the mains before starting troubleshooting >chapter 4.3, „Switching off“.

Before contacting your authorised Royal dealer, Royal service partner or appliance market or sending in the appliance, first follow the procedure in the following table to check if you can solve the problem yourself.

Problem	Possible cause / solution
The appliance will not start.	The socket does not carry current. Test the vacuum cleaner at another socket which you are sure carries current. Power cord is damaged. Have the power cord replaced by Royal Appliance Customer Service, address, >Page 11, „International Service“.
The vacuum cleaner stops suddenly.	The overheating protection has tripped (possibly due to blocked suction channels, filters, or similar). Switch the appliance off and pull the plug out of the socket. Remove the cause of overheating (e.g. by disassembling telescopic tube and suction hose and removing the obstacle and/or cleaning filters). Wait for about 45 minutes. After the appliance has cooled off, you may switch it on again.
Cleaning indicator (Fig. 1/26) lights up.	The central lamellae filter (Fig. 1/19) is dirty. Clean the central lamellae filter, >chapter 5.2, „Cleaning the central lamellae filter and motor protection filter“. The dust container (Fig. 1/21) is full. Empty / clean the dust container, >chapter 5.1, „Emptying and cleaning the dust container“.

Problem	Possible cause / solution
The cleaning results are unsatisfactory in spite of the appliance working correctly	The bypass vent (Fig. 1/9) is open. Close the bypass vent.
	The attached nozzle is unsuitable. Change the nozzle, >chapter 3.2, „Selecting the proper nozzle“.
	The suction power you set is unsuitable. Adjust the suction power control to suit the flooring, >chapter 4.2, „Vacuum cleaning“, step 4.
	The position of the "carpet/hard floor" selector (Fig. 1/5) is unsuitable. Set the "carpet/hard floor" selector to the correct position for the type of floor, >chapter 4.2 „Vacuum cleaning“, step 5.
	The dust container is full. Empty / clean the dust container >chapter 5.1, „Emptying and cleaning the dust container“.
The filter is dirty.	Clean the respective filter >chapter 5.2, „Cleaning the central lamellae filter and motor protection filter“ or >chapter 5.3, „Cleaning the exhaust filter“.
	Nozzle, telescopic tube or suction hose are blocked. Remove the obstacle. If necessary, use a long wooden stick (e.g. a broomstick) to do this.

NOTE:

If you cannot solve the problem following these instructions, contact the Royal Appliance customer service (>Page 11, „International Service“).